

Cube Hopper

The ideal coin or token dispensing unit for any machines

Suitable for high payout speed dispensing (up to 400 coins per minute) and characterized by a standard capacity of 350 coins (Ø 24 mm). Extensions are available to increase the capacity, with an average of 400 coins per extension. The square base allows for four different installation orientations, based on the customer's installation requirements.

Conversion to different currencies is fast and easy. A sophisticated electronic control board, together with payout sensors, protects it against any possible accidental jams (the sensor must be kept clean and at a safe distance from any light source).

Also available in the Dual Hopper version, which can payout 2 different types of coins.

Features

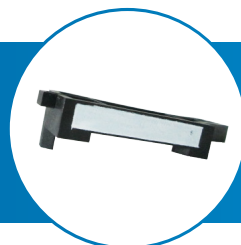
- Safer than ever, thanks to the new anti-theft metal plate and the new firmware
- Accepts coins of diameters between 18 and 31 mm and thicknesses between 1.5 and 3.2 mm (all Euro coins other than 1c)
- Available in ccTalk or parallel versions, with universal disc for 50 c - 1 € - 2 € Euro coins
- Also available in the Dual Hopper version, equipped with an additional sensor for measuring the coin diameter, as well as 5 special ccTalk controls for mixed coin payout
- Small, compact and easy to install, thanks to its practical installation kit (included)
- "Sun & Planet" gearbox, which allows for optimal operation with minimal consumption (from 350 mA to 850 mA with a peak of 2 A at 24 Vdc)
- "Sun & Planet" gearbox increasing the coin capacity to contain and count more than 1,200 coins with a 24 mm diameter with two extensions (max 2 extensions)
- Auto-reverse system to protect against accidental jams
- Second payout sensor available as option
- Two connection options: 10-pole in-line connector and 5x2 transition connector. A chain of peripherals (daisy connection) can be obtained using a ribbon cable



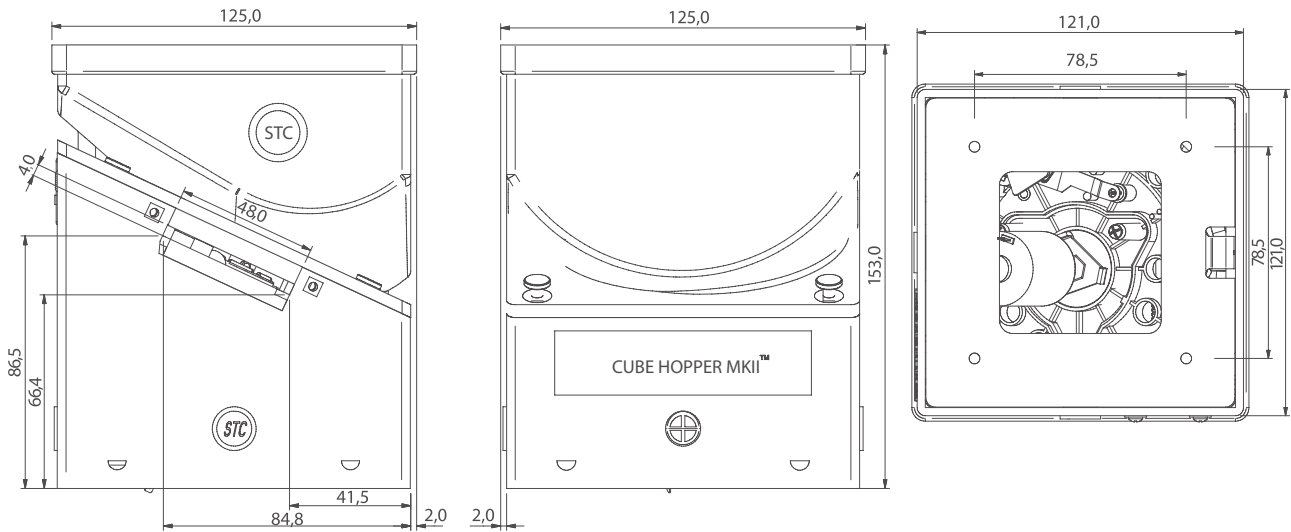
Anti-theft metal plate



Euro bridge



Technical Schematics



Note: Unit of measure: mm

Optional accessories

- CBH1: board for connecting the hopper to ccTalk gaming machines with a 10 pole connector (5x2)
- Extension for increasing the coin capacity vertically
- Extension for increasing the coin capacity horizontally
- Hopper protection cover
- AGCAVOHOPPER: cable for connecting the hopper to machines that use the ccTalk protocol



Technical Specifications

Dimensions (L x H x W)	125 x 153 x 125 mm
Weight	780 g
Power supply	12 ÷ 24 Vdc ± 10%
Current consumption	30 mA in stand-by; max 3.3 A at 24 Vdc limited during dispensing
Power consumption	1 W max in stand-by - 80 W during dispensing
Operating temperature	0 °C ÷ 50 °C – humidity 20% ÷ 75%
Coins accepted	Ø 18 ÷ 31 mm – thickness 1.5 - 3.2 mm
Payout speed	±7 coins per second
Connection	In-line 10 pole connector - Type: molex series 6471

Coin Capacity

Capacity	1 € 350
----------	------------