

# Pit Start Plus

Car wash start systems



The best-in-class device for activating  
self-service washing bays

## Suitable for modernising existing high-pressure systems

Specifically designed for self-service washing bays, it manages up to 7 wash programs through a single payment unit. Solid and resistant, it guarantees excellent protection against dust, water jets and nebulised chemical products. Pit Start Plus is available in 2 different versions for easy installation on any type of system. The graphics label can be customised to increase the visibility of the company logo.

### Features

- Coin entry protected by a mobile plate. Microchip card slot equipped with an internal waterproof seal
- IP 54 protection degree. Stainless steel external frame, door and pushbutton panel
- Opening protected by a fully waterproof closing lock, equipped with an anti-drilling plate
- Transflective display, back-lit like the buttons, guaranteeing maximum visibility even in conditions of full sunlight
- 7 program selection buttons and 1 stop button to interrupt the service in progress
- In the standard version, the interface is made with a DIN guide box equipped with 8 opto-isolated inputs for receiving signals from the system control unit, 8 relay outputs and 1 RS232 serial connector for programming the validator, transmitting accounting data and upgrading the software
- Possibility to set the prices on-field
- Installation:
  - wall mounted
  - free standing

### Functions

#### • Stand-by status

When the cash unit is in stand-by, the display shows a message asking to insert cash and select a service, while the buttons light up in a rapid sequence in order to attract the customers' attention

#### • Coin and token functionality

When the user inserts coins or tokens, the display will show the purchased credit. Once the first set price is reached, the Pit Start Plus will be ready to activate the corresponding service

#### • Card or key operated

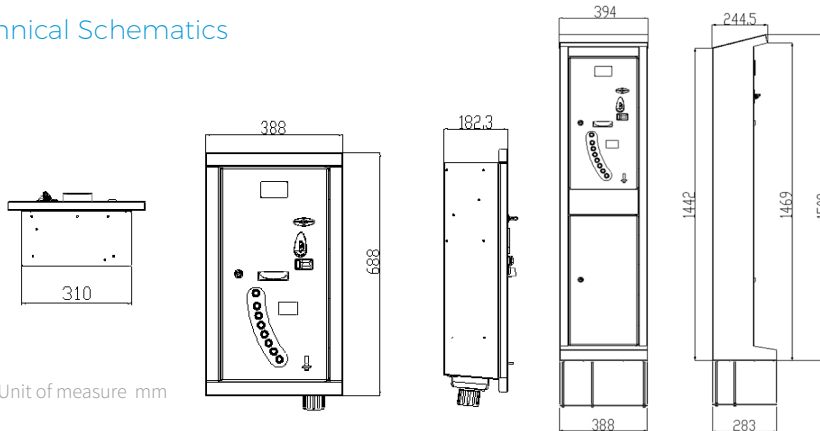
When the user inserts the key or the card, the display will show the amount of credit available. If the credit is equal to or higher than the lowest configured price, the Pit Start Plus is ready to activate the relative service

#### • Selecting the services

Up to 7 different services can be selected, which correspond to an equal number of wash programs. The user can rapidly switch from one service to another by simply pressing the corresponding button



### Technical Schematics



Note: Unit of measure mm

#### Installed peripherals

- RM5 HD electronic coin validator
- EuroKey Next cashless system

#### Optional peripherals

- NV9 USB banknote reader
- WorldKey cashless system

#### Optional accessories

- Graphics label customised by quantity

### Technical specifications

	Free standing starter	Wall-mounted starter
Dimensions (LxHxW)	394 x 1,508 x 283 mm	388 x 688 x 182,3 mm
Weight	52 kg	17 kg
Power supply	24 Vac ±10%	24 Vac ±10%
Power consumption	25 W	25 W
Operating temperature	-15 °C ÷ 50 °C humidity 10% ÷ 90% non-condensed	-15 °C ÷ 50 °C humidity 10% ÷ 90% non-condensed

### Coin Capacity

	0.5 €	1 €	2 €
Cash box	800	850	650