

Laundry PRO

Cash Points



Excellent for both operators
and end user

suzohapp.com

Innovation at hand

Laundry PRO is the innovative automatic cash point designed for self-service laundrettes. Thanks to its advanced functions, Laundry PRO is an excellent resource for operators and end users: operators can easily increase their business, whereas the users will gain in terms of speed and efficiency. Thanks to its wide touch display, it's possible to easily manage up to 40 washing or drying machines.

Features

- Simple and intuitive user interface consisting of a convenient 17" tamper-proof touch screen
- Large range of contactless bank card payment systems available as option
- Change return
- Microchip or contactless cards for dispensing cashless payments
- Optional built-in QR-code reader for managing large scale promotional campaigns
- USB port for importing and exporting accounting data, configuration parameters and all cash point events
- RS485 interface for connecting one or more 3BIO boards to control 3 washing machines or 3 drying machines
- UPS
- Different installation modes: wall-mount through the provided bracket, or recessed thanks to the optional flange

Laundry PRO offers maximum flexibility

- ✓ LogMeIn software enables remote managing and programming
- ✓ The specific App for Android can activate the machine and process the data, possibility to receive emails and SMS messages to be always up-to-date
- ✓ Thanks to the optional QR-code reader, you can set large scale promotional campaigns and targeted pricing policies



Function utility

User-friendly experience

The wide 17" touch display enables quick and easy access the washing or drying machine

Simple maintenance

Through the back door it's possible to empty the hopper, the banknote reader and the cash point. Possibility to charge the card dispenser and change the paper in the thermal printer (where present)

Discount, promotion and bonus management

Efficient management of discounts and promotions to increase customer retention. A barcode can be added to the receipt to allow the user to take advantage of limited time promotions during a set period of time

Installed peripheral devices

- RM5 HD electronic coin validator
- NV9 USB banknote reader
- Multi-coin hopper
- Microchip card reader

Optional peripheral devices

- Microchip and contactless card dispenser
- Barcode and QR-code reader
- Receipt printer
- Modem
- Mifare® card reader
- POS
- Compatible with most of the contactless bank card systems

Tools

Laundry Manager

Software for PC for a simple and instant report on the progress of the laundrette (daily summary of receipts, preparation of graphs and sales statistics)

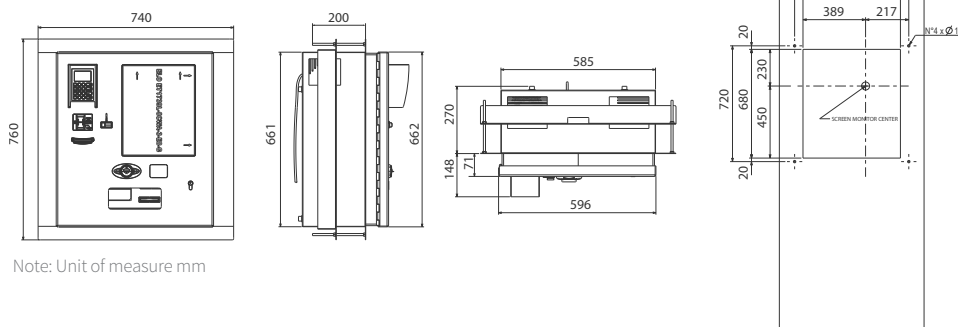
Pendrive Data Handler

Software to improve the performance of the Laundry PRO cash point

Optional accessories

- Flange for recessed installation
- 3BIOVEL boards
- Customisable graphic label by quantity

Technical Schematics



Nayax reader



Ingenico contactless reader IUC180



P68 reader

Spécifications Techniques

Machine seule

Machine murale encastrée

Dimensions (BxHxP)	595,5 x 661,5 x 337 mm	740 x 760 x 353 mm
Poids	68 Kg	83 Kg
Tension d'alimentation	230 Vac	230 Vac
Puissance absorbée	350 W	350 W
Température de fonctionnement	10 °C ÷ 50 °C	10 °C ÷ 50 °C