

RGB LED LIGHT STRIP FOR XENON TOPPER



GAMING, AMUSEMENT AND INDUSTRIAL COMPONENTS



Order Number: 104-02000

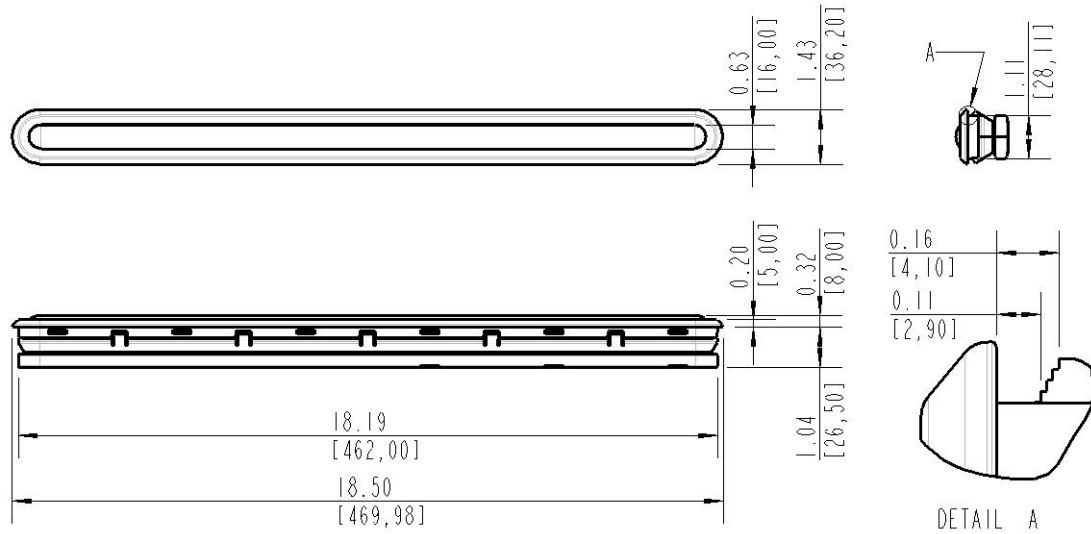
Main Features

- Light strips work in conjunction with the RGB XENON topper(104-07000)
- A dazzling light show runs from the topper box into the light strips and back
- Light strips can be mounted anywhere in a cabinet and connected by wiring (not included) to the Xenon RGB topper
- Opaque bezel contains bright multi-color LED's for a multi-colored light show

Note: The specifications and information contained here are for quick reference only and are subject to change without notice. For detail product specification, please refer to formal product documentation.

Warning: In case of removal of the diffuser lens do not look straight into the LED's since this may cause serious eyes injuries!

RGB LED LIGHT STRIP FOR XENON TOPPER

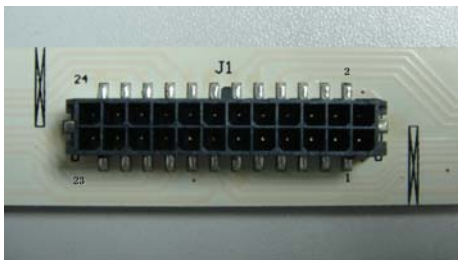


Light Strip Dimensions



Panel Opening

Connection Diagrams



Connector type on light strip: Molex 43045-2418
Mate with connector on cable: Molex 43025-2400

Pin #	1	2	3	4	5	6	7	8	9	10	11	12
Function	R	B	G	NC	D1	D2	D3	D4	D5	D6	D7	D8
Pin #	13	14	15	16	17	18	19	20	21	22	23	24
Function	D9	D10	D11	D12	D13	D14	D15	D16	D17	D18	D19	D20

IMPORTANT:

1. Shut-off power from host machine during installation.
2. Power supply to light strip: 12VDC 3.0A.