

# Pill/Polygon Topper

Model: 104-30000 / 104-31000

Manual

Version 1.3 /jan 2013



# SUZO HAPP

*Solutions Focused. Technology Driven.*

Antonie van Leeuwenhoekstraat 9  
3261 LT Oud Beijerland  
Nederland

Phone: +31(0)186-643333

Fax: +31(0)186-643322

Email: [info@suzohapp.nl](mailto:info@suzohapp.nl)

Web: [eu.suzohapp.com](http://eu.suzohapp.com)

**Warning:** In case of removal of the diffuser bezel do not look straight into the LED's since this may cause serious eyes injuries!

## 1. Introduction

The Suzo-Happ group has now introduced some new topper designs.

These units can be put on top of gaming machines with the topper base (104-0025 included) as a people attraction device or to promote certain gaming machines.

Including cable for looped top sign and top sign.

Including diffuser for better light diffusion.

RGB Pill Topper is a low profile topper suitable to locations where ceiling height is a problem.

## 2. Safety Note

To meet the requirements for EN 60950 the equipment must be installed according to the following requirements: The equipment must be protected by a 3A fuse.

The equipment must be supplied from a SELV limited power source.

The equipment must be installed in an enclosure but positioned so that it is external Shut-off power from host machine during installation.

Power supply to Topper: 12VDC 3A.

## 3. General Description

### 3.1. Description

The Pill Topper consists of 44 individually controlled RGB leds.

Control Toppers Through Host Machine

You may select 2 different modes by CON2 open(high) Flashing Pattern or CON2 closed (low) Solid Color.

You may also select seven pre-defined combinations of colors and 6 solid colors.

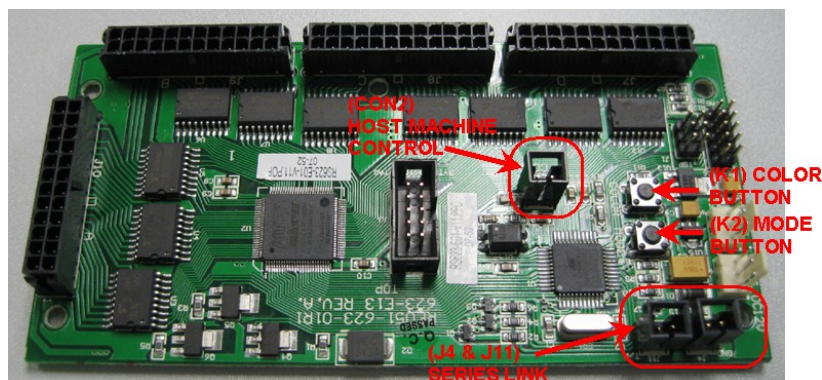
Artwork plate not included.

Other mounting base available (104-0021)

### 3.2. Display Patterns

The standard software version displays 7 pre-programmed flashing patterns (Default setting).

Or you can make a choose to 1 of 7 Flashing Patterns.



**3.3. Setting Flashing Pattern for Topper**

You may select flashing patterns as below:

- A. Cycling through 7 pre-programmed flashing patterns (Default setting)
- B. Press MODE button once - Topper will switch to next flashing pattern and stay on this pattern until MODE button is activated again.
- C. Press and hold MODE button for 3 seconds - Topper will resume to default setting and cycle through the pre-programmed patterns.

Last flashing mode will be stored to memory when power off.

**3.4. Setting Color for Topper**

You may select flashing color set out of seven pre-defined combinations (CON2 open (high), and 6 solid colors CON2 closed (low) as below:

Select to light mode expect to change

Press COLOR button on the main control board once - Topper will switch to next and stay on this color set until COLOR button is activated again.

Last color setting will be stored to memory when power off.

The color sets are defined as follow:

	Flashing Pattern Mode	Solid Color Mode
1	Red - Blue - White (Default)	Blue (Default)
2	Green - White - Red	Green
3	White - Yellow - Red	Red
4	Yellow - White - Blue	Yellow
5	Blue - Purple - White	Purple
6	Green - Blue - Yellow	White
7	Green - Red - Blue	-

**3.5. Synchronize Toppers Connected in Series**

You may synchronize color and flashing pattern for Toppers connected in series through J4 from one to J11 of the another as below:

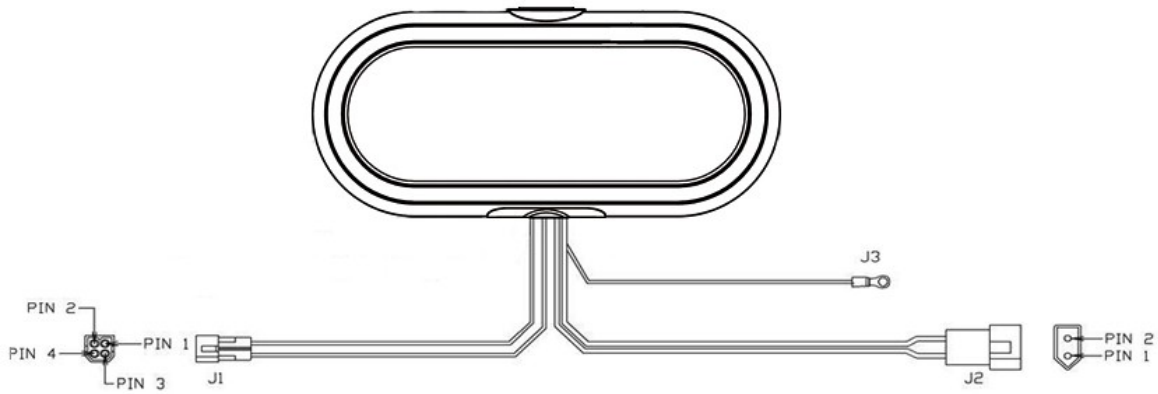
- A. Connect Toppers with a synchronize cable (not included) to series link connectors.
- B. Conduct above settings to change color and /or flashing pattern through any one of the toppers connected in series.
- C. If Toppers are connected in series, the first powered up topper will dominate the color and pattern for whole series until it is changed.

For best performance, synchronize cable should not be longer than 10M and cable should comply with UL 2464.

**3.6. Control Toppers Through Host Machine**

You may select 2 different modes by open (high) / close (low) connecting (CON 2) to Host Machine. (Connection cable not included - It should not be longer than 10M and should comply with UL 2464.)


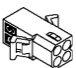

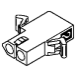


**4. Connection diagram**



**Connections**

Connector	Wire color	Pin	Description
J1 4 Pole Connector	Black	1	Common Tower light
	Yellow	2	Lamp 2nd from bottom
	White	3	Lamp bottom
	Blue	4	Lamp 3th from bottom
J2 2 Pole Connector	Orange	1	Power 12Vdc
	Black	2	Power Ground
J3 Ring Term. 4mm	Green/Yellow		Earth bonding strap

**Connector type**

Connector No.	Topper connector type	Machine connector type
J1	Molex Male 03-09-2049 	Molex Female 03-09-1049 
J2	03-09-2022 	03-09-1022 
J1 and J2	02-09-2118 	02-09-1118 

## 5. Technical specifications

### 5.1. Electrical ratings

**Absolute Maximum Classification**

Item	Unit	Min	Typical	Max	Remarks
Working temperature	°c	0	-	50	
Storage temperature	°c	-30	-	80	
Relative humidity	%		-	90	
Altitude	M	-	-	2000	

**Input characteristic**

Description	Unit	Min	Typical	Max	Remarks
Power supply	Vdc	10.8	12	13.2	
Current consumption	A		2		Power supply min. 3A

## 6. Accessories

### 6.1. S/E Lamp

The following lamp type is used in the topper unit.

Suzo Part no: -9904-11CW



**Dulux S/E Lamp 11W/842 (-9904-11CW)**

### 6.2. Synchronize cables

One female and one male cable Connect the toppers together for synchronize the light patterns and colors.

Suzo Part no: 104-209-5 and Suzo Part no: 104-209-6



**Sync cable 2m. Female (104-209-5)**



**Sync cable 2m. Male (104-209-6)**

### 6.3. Power supply

Power supply 12Vdc 5A with a 2 pin connector for direct connection with a topper. Power cord not included.

Suzo Part no.: 103-0005



**PSU 12V 5A TFT topper (103-0005)**

### 6.4. Power cord Euro to IEC connector, Black, 3 Meter

Suzo Part no.: 22-0012



**Power cord 3 Meter (22-0012)**

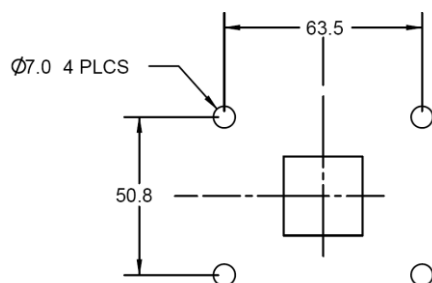
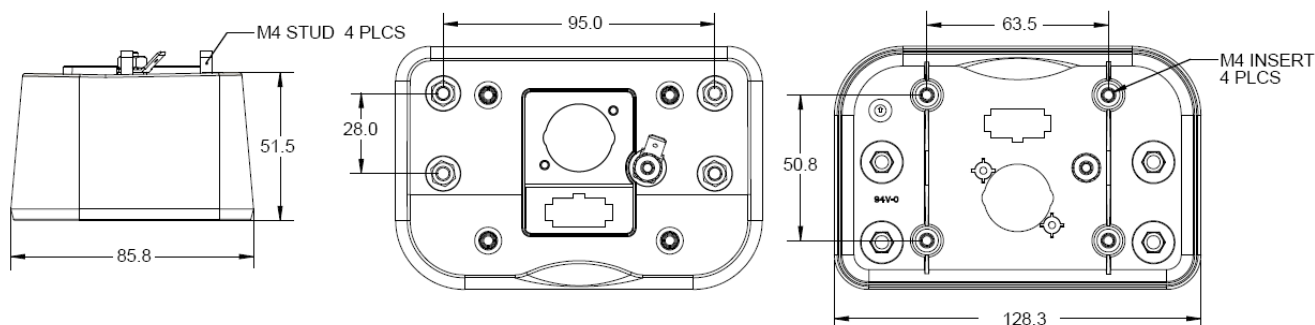
### 6.5. Topper base

Topper base for RGB Polygon and Pill toppers, flat (not included)

Suzo Part no.: 104-0021



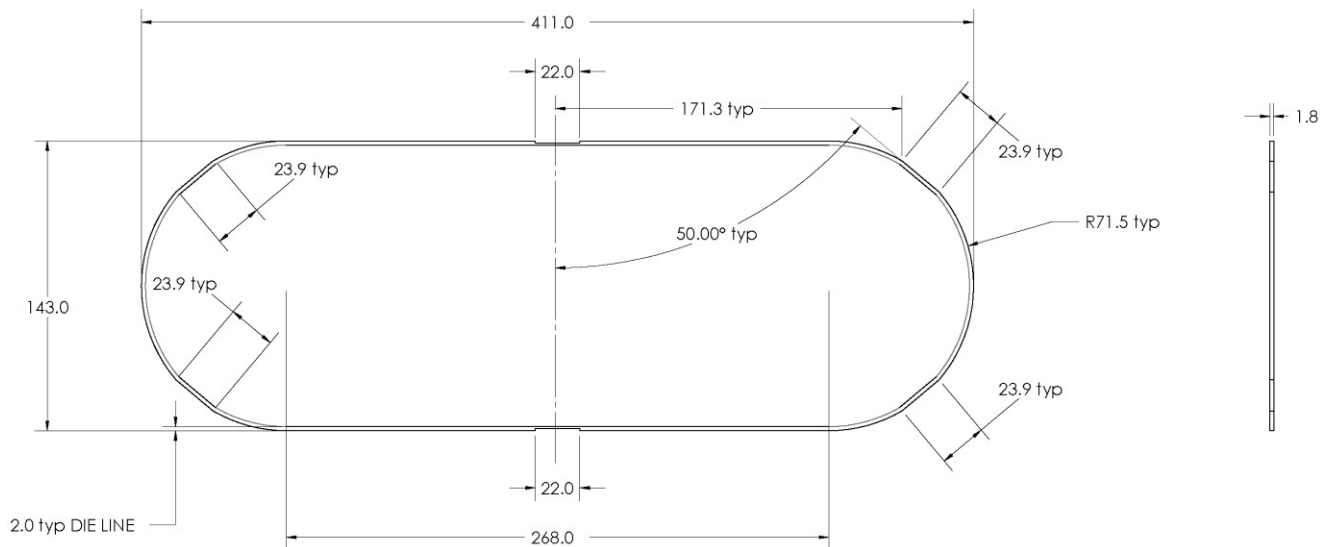
**Topper Base flat (104-0021)**



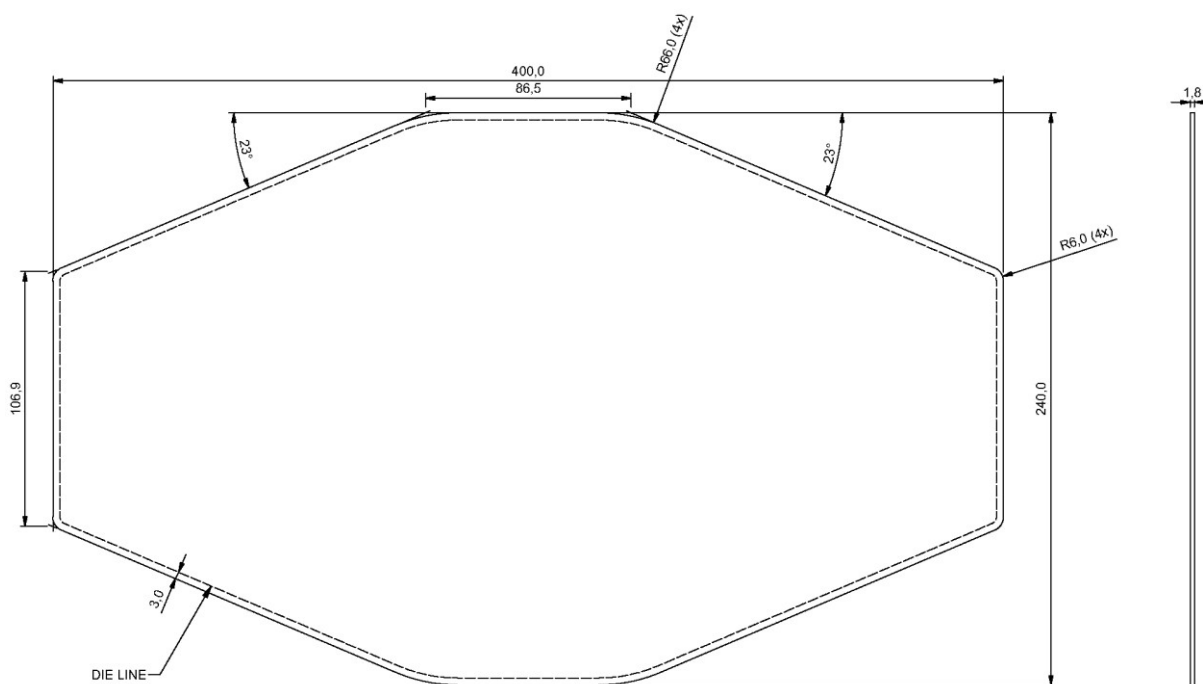
**Mounting & overall dimensions in mm**

## 7. Dimensions

### 7.1. Dimensions front plates in mm



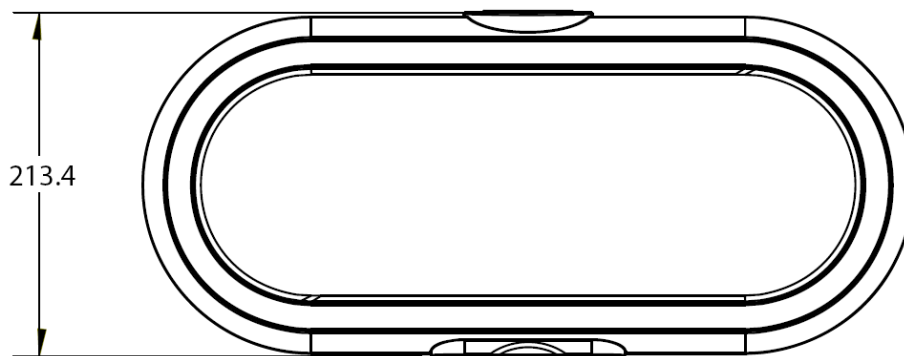
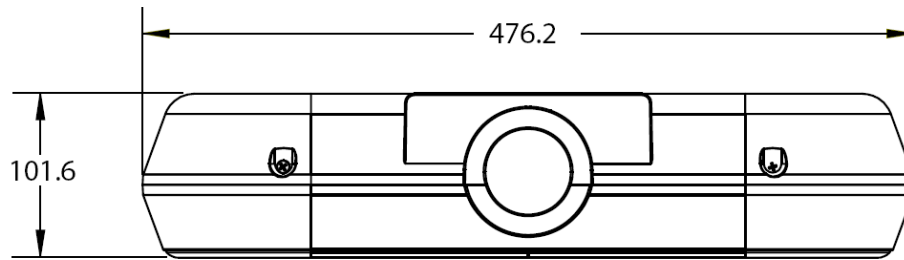
Dimensions Pill topper front plate for artwork (not included)



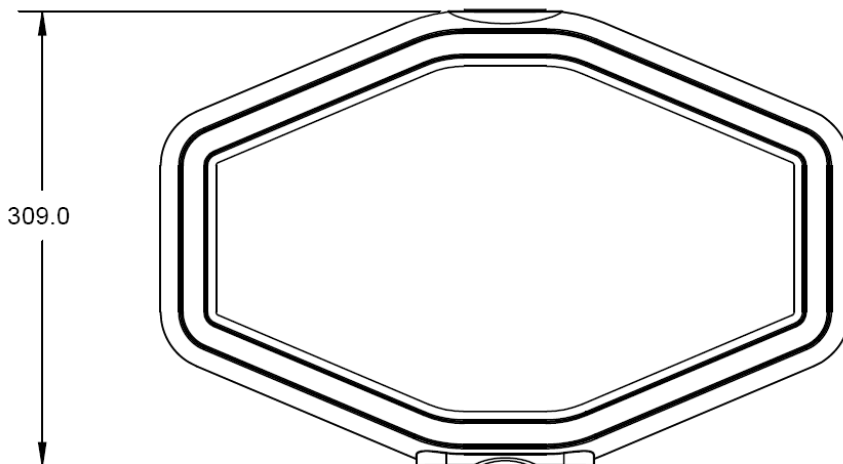
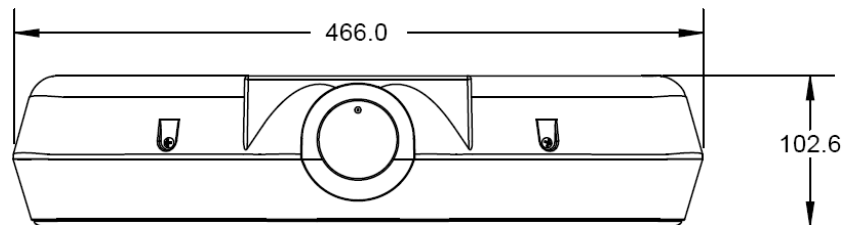
Dimensions Polygon topper front plate for artwork (not included)



7.2. Dimensions Toppers in mm



Dimensions Pill topper (104-30000)



Dimensions Polygon topper (104-31000)

## **8. Warranty**

We thank you for the purchase of this Suzo product. If you require warranty for this product you can contact Suzo International. Before contacting Suzo we advise to carefully read the product manual.

### **8.1. Your warranty**

Suzo guaranties that the product for the period of ONE YEAR from the original purchase date will be free of material or fabrication errors. When material or fabrication errors do occur (as judged by Suzo) within the warranty period, Suzo will replace or repair the defective parts without labour or parts cost. The following restrictions apply. All replaced products or parts become property of Suzo International.

### **8.2. Conditions**

1. Warranty can only apply when the original invoice (with model number and purchase date) together with the defective product is presented within the warranty period.
2. Suzo is under no obligation to perform warranty when invoice is not present or unreadable.
3. Warranty does not apply when model number of serial of product are changed, removed or made unreadable.
4. Warranty does not cover the risk to the product during transportation to and from Suzo International
5. Warranty does not cover:
  - a. Regular maintenance or replacement of parts due to normal wear.
  - b. Damage of defects caused by operation or treatment of the product not considered as normal use.
  - c. Damage or adaptations to the product caused by faulty operation or use that is not within the machines original capabilities.
6. Warranty is only performed at the Suzo Technical office unless other official agreements apply for instance as agreed upon in a maintenance contract.